

# 135 Series

## 300lbs Electromagnetic Lock

Model **UL135-S-A (Unmonitored Version)**

### DESCRIPTION

300lbs EM locks were designed to meet fire/life safety applications by providing an auxiliary locking mechanism that has no moving parts to bind or wear out for trouble free operation. This will ensure inhibited release at all times where they have become extremely prevalent in applications other than fire/life safety. Suitable for access controlled & small enclosure.



### FEATURES & SPECIFICATION



**Life Safety Applications**



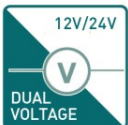
**Zero Residual Magnetism**



**Low Energy Consumption**



**Cost Savings**

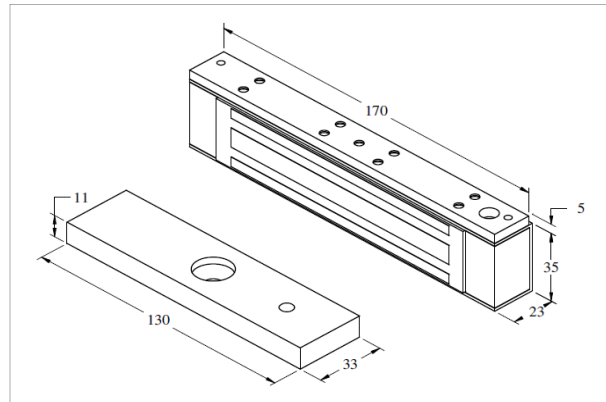


**12/24Vdc Non-Selectable**



**Ideal for all door types**

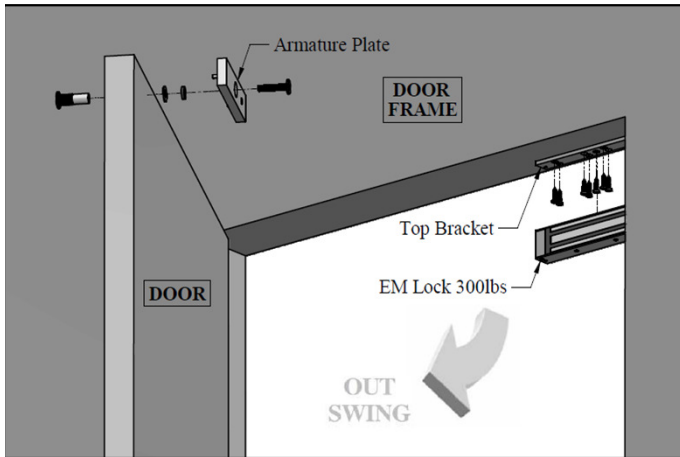
Model	UL135-S-A
<b>Features &amp; Spec.</b>	
<b>Lock Status Monitoring</b>	-
<b>Holding Force</b>	Up to 300lbs
<b>Magnet Size</b>	170 X 35 X 23 mm
<b>Armature Size</b>	130 X 33 X 11 mm
<b>Current Drain</b>	300mA±10%/12Vdc 150mA±10%/24Vdc
<b>Operating Temperature</b>	(-10 to 55) °C (14 to 131) °F
<b>Housing Finishing</b>	Anodized Aluminium
<b>Est. Weight</b>	1.5kg



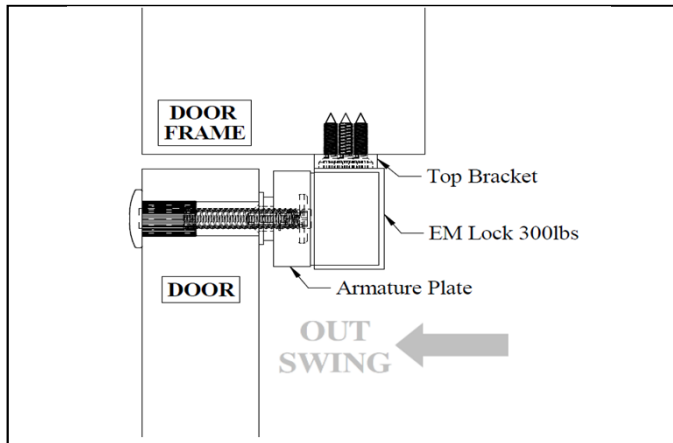
# 135 Series

## 300lbs Electromagnetic Lock

### STANDARD INSTALLATION DIAGRAM



Explode View



Side View

### OPTIONAL - BRACKET SELECTION

LS-135	U1-135	ZL-135	ZLE-135
--------	--------	--------	---------