

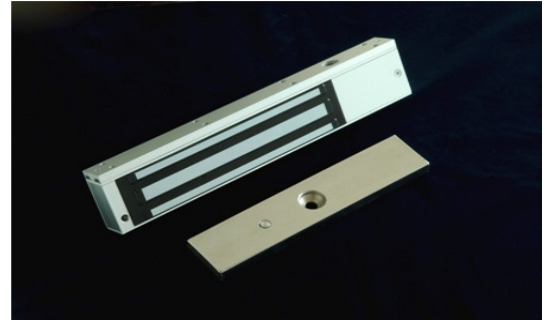
# 275T Series

## 600lbs Timer Electromagnetic Lock

**Model** UL275T-S-A (Unmonitored Version)  
UL275T-SL-A (Monitored Version)

### DESCRIPTION

600lbs Timer EM Locks were fitted with a Time Delay Function (TDF) to cater for specific needs in the industry. The blueprint is also to meet fire/life safety applications by providing an auxiliary locking mechanism. Suitable for access controlled & secure areas within buildings.



### FEATURES & SPECIFICATION



**Life Safety Applications**



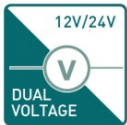
**Zero Residual Magnetism**



**Low Energy Consumption**



**Cost Savings**

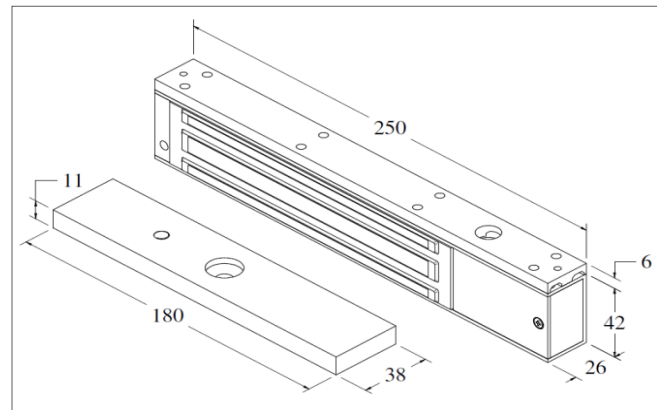


**12/24Vdc Selectable**



**Ideal for all door types**

Models	UL275T-S-A	UL275T-SL-A
<b>Lock Status Monitoring</b>	-	✓
<b>Holding Force</b>	Up to 600lbs	
<b>Magnet Size</b>	250 X 42 X 26 mm	
<b>Armature Size</b>	180 X 38 X 11 mm	
<b>Current Drain</b>	480mA±10%/12Vdc 240mA±10%/24Vdc	
<b>Operating Temperature</b>	(-10 to 55) °C (14 to 131) °F	
<b>Housing Finishing</b>	Anodized Aluminium	
<b>Est. Weight</b>	2.0kg	



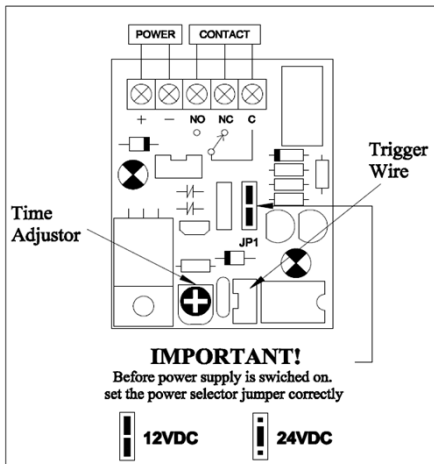
# 275T Series

## 600lbs Timer Electromagnetic Lock

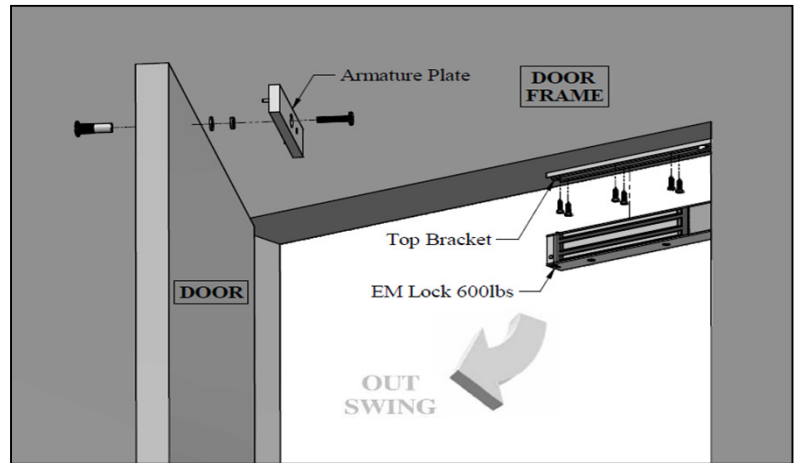
### Extended Features

- **Time Adjustor** - Setting of door re-lock time  
*Clockwise: - Max. delay 20 seconds.*  
*Counter clockwise: - Min. delay 0 second.*  
*\* Factory Setting at 0 sec.*
- **Trigger** - Connected to emergency exit button device to control Door Exit Button to open the door while emergency.

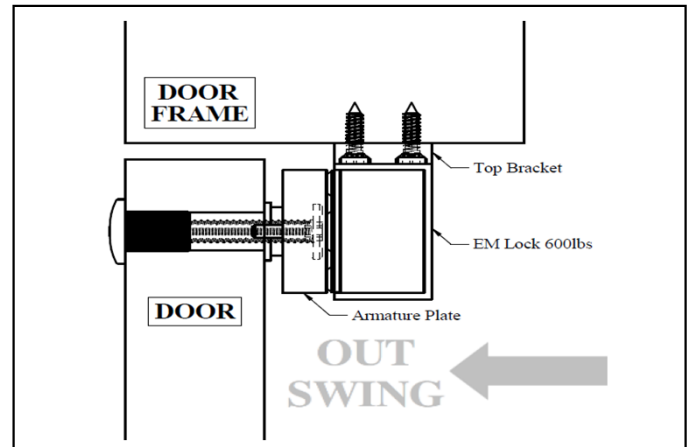
### WIRING DIAGRAM



### STANDARD INSTALLATION DIAGRAM



Explode View



Side View

### OPTIONAL - BRACKET SELECTION

U1-275	ZL-275	ZLE-275	LS-275	GG-275	ZLC-275
ZLC-275-G	ZLDC-275-G	LSDC-275-G	AH-275	AB-275	