

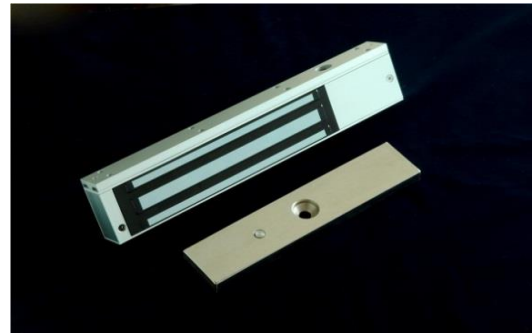
# 275 Series

## 600lbs Electromagnetic Lock

**Model**    **UL275-S-A (Unmonitored Version)**  
              **UL275-SL-A (Monitored Version)**

### DESCRIPTION

600lbs EM locks were designed to meet fire/life safety applications by providing an auxiliary locking mechanism that has no moving parts to bind or wear out for trouble free operation. This will ensure inhibited release at all times where they have become extremely prevalent in applications other than fire/life safety. Suitable for access controlled & secure areas within buildings.



### FEATURES & SPECIFICATION



**Life Safety Applications**



**Zero Residual Magnetism**



**Low Energy Consumption**



**Cost Savings**

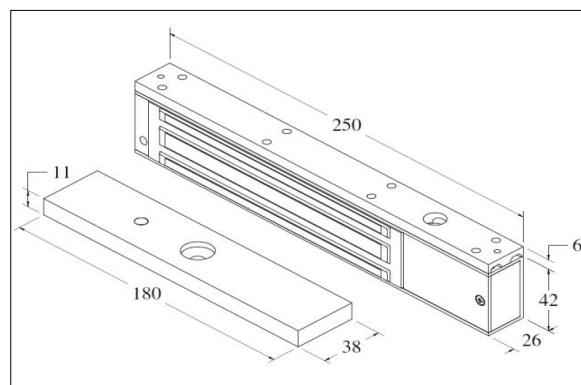


**12/24Vdc Selectable**



**Ideal for all door types**

	Models	
Features & Spec.	UL275-S-A	UL275-SL-A
<b>Lock Status Monitoring</b>	-	✓
<b>Holding Force</b>	Up to 600lbs	
<b>Magnet Size</b>	250 X 42 X 26 mm	
<b>Armature Size</b>	180 X 38 X 11 mm	
<b>Current Drain</b>	480mA±10%/12Vdc 240mA±10%/24Vdc	
<b>Operating Temperature</b>	(-10 to 55)°C (14 to 131)°F	
<b>Housing Finishing</b>	Anodized Aluminium	
<b>Est. Weight</b>	2.0kg	

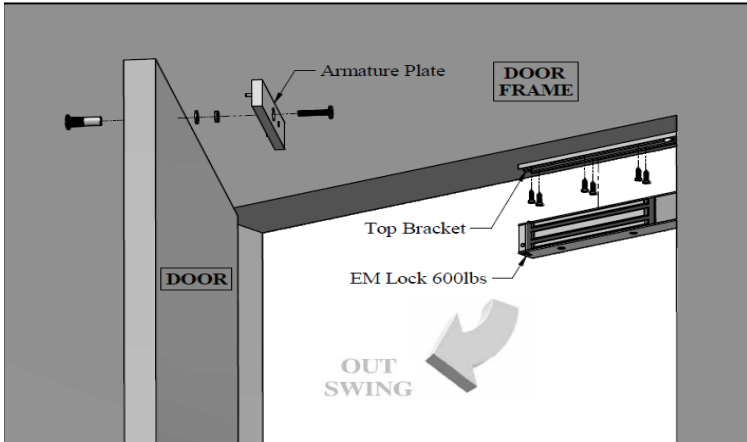


# 275 Series

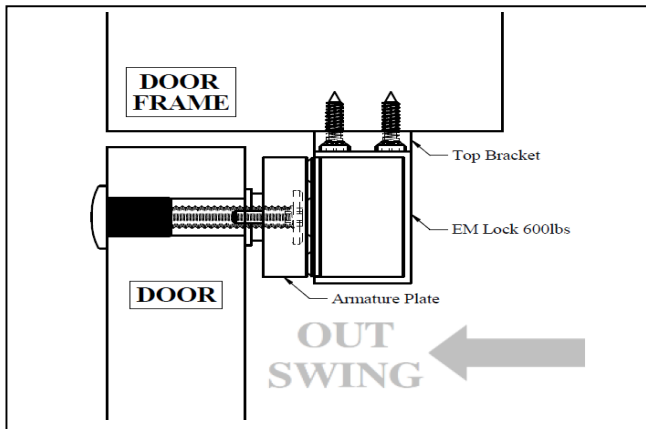
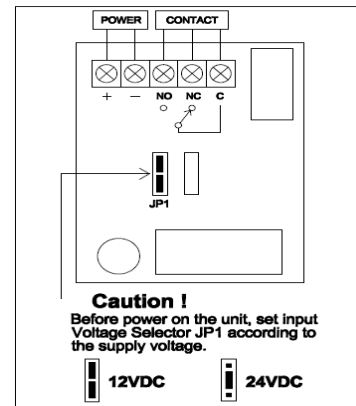
## 600lbs Electromagnetic Lock

### STANDARD INSTALLATION DIAGRAM

### WIRING DIAGRAM



Explode View



Side View

### OPTIONAL - BRACKET SELECTION

U1-275	ZL-275	ZLE-275	LS-275	GG-275	ZLC-275
ZLC-275-G	ZLDC-275-G	LSDC-275-G	AH-275	AB-275	